



KID STAR

Closure with hook-and-loop strap. Suitable for printing.

Technical accessories

| | |
|--------------------|---|
| Composition | Main Fabric: 100% Cotton twill - 280 gsm |
| Panels | 5 Panels |
| Visor | Curved/ Trim on Bill |
| Visor | Curved/ Fabric insert |
| Sweatband | Sweatband TC sheeting with 2 stitching (open on back) |
| Eyelets | 6 Double embroidered eyelets on crown |
| Buckram | Buckram oxford |
| Closure | Hook-and-loopclosure |
| Size | One size fits all |
| Packing | 24 x 144 |
| Custom code | 6505.00.30 |
| Made in | China |

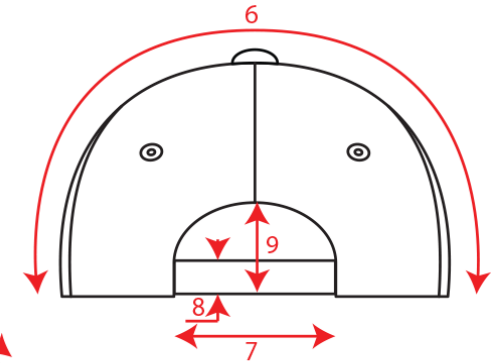
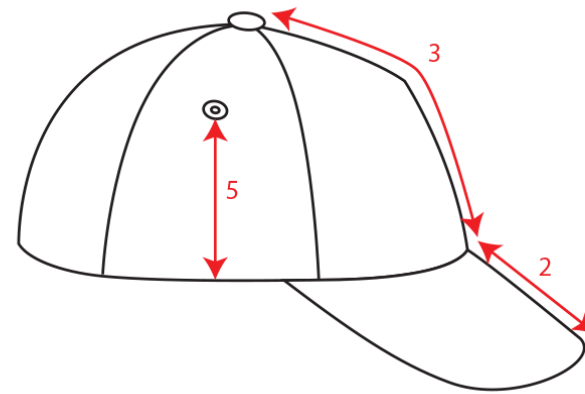
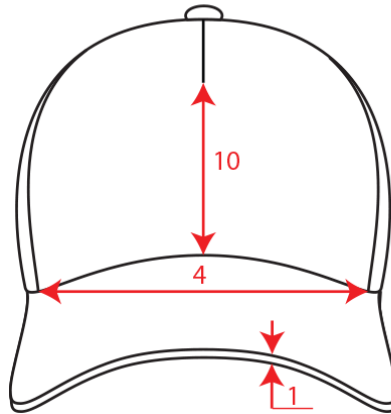
Where to customize

Centimeters

| | Front | Back | Closure | Right | Left |
|---------------|-------|---------|---------|---------|---------|
| Print | - | - | 6 x 1,2 | 6 x 5 | 6 x 5 |
| Embroidery | - | 8 x 3,5 | - | 8 x 4,5 | 8 x 4,5 |
| Heat transfer | 6 x 6 | - | - | 6 x 4 | 6 x 4 |

Technical Size (cm)

- 1** 0.25
- 2** 6.0
- 3** 15.5
- 4** 16.7
- 5** 8.0
- 6** 31.0
- 7** 7.5
- 8** 2.0
- 9** 6.0



Color variants (TPX / Pantone)

LIGHT-BLUE-NAVY



BILL: 14-4121 / 278-C
CROWN: 14-4121 / 278-C
PIPING: 11-0601 / WHITE

ECRU-RED



BILL: 12-0605 / 7506-C
CROWN: 12-0605 / 7506-C
PIPING: 19-3920 / 533-C

YELLOW-WHITE



BILL: 15-0955 / 1235-C
CROWN: 15-0955 / 1235-C
PIPING: 16-1357 / 164-C

NAVY-LIGHT-BLUE



BILL: 19-3920 / 533-C
CROWN: 19-3920 / 533-C
PIPING: 11-0601 / WHITE

PINK-WHITE



BILL: 15-1717 / 3572-C
CROWN: 15-1717 / 3572-C
PIPING: 18-2043 / 214-C

RED-NAVY



BILL: 19-1761 / 200-C
CROWN: 19-1761 / 200-C
PIPING: 11-0601 / WHITE

ROYAL-WHITE



BILL: 19-4056 / 7686-C
CROWN: 19-4056 / 7686-C
PIPING: 19-1761 / 200-C